

EB-363 NEW

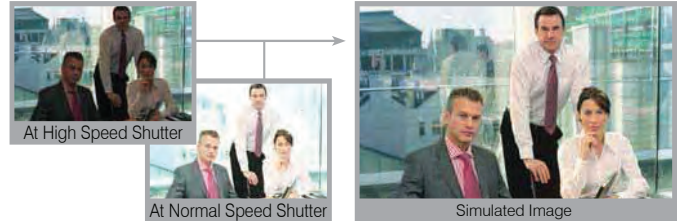
36X Auto Focus Zoom Box Camera

- ❖ Effio DSP
- ❖ 611,688 Pixels
- ❖ 36X zoom camera
- ❖ 650TV Lines
- ❖ Support WDR



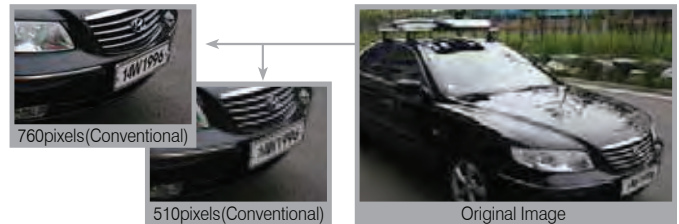
❖ Wide Dynamic Range Image

These cameras incorporate an advanced backlight compensation technology that dramatically improves each camera's dynamic range by 512 times when compared to conventional cameras. Thanks to this new technology, users can capture clear images even in extreme high-contrast lighting environments. The cameras capture the same image twice: first with a normal shutter speed, and then with a high shutter speed. The dark areas captured at normal shutter speed and the bright areas captured at high shutter speed are then combined into one image using an advanced DSP LSI, this clearly reproducing the original scene.



❖ Create Higher Resolution World

- Provide advanced Clear picture quality
- Provide more recognizable picture after E-Zoom operation
- Supporting Intelligent Function



❖ Enhanced Auto Focusing & Smart Lens Control

The newly developed focus motor adopts the special ceramic ball as pedestal of shaft (current one is steel ball). This will greatly enhance the durability of focus motor. By increasing the speed of rotation of zoom motor and redesigning the motor screw, the zoom speed will be faster.(4.0sec --> 2.5sec)

These cameras feature this function. Each incorporates SMART Lens Control technology, which monitors the focus position of the lens while zooming, and automatically compensates for any mechanical misalignment that may occur over long periods of continuous usage. With this beneficial feature, periodic lens initialization is no longer required during continuous 24-hour operation.



❖ Powerful and Versatile Zoom Capability

These cameras use 36x zoom lens. When used in combination with its 32x digital zoom, the camera achieves a zooming capability of up to 1,152x.

❖ 32X E-Zoom

Provide more recognizable picture after E-zoom due to 960 effective vertical pixels.

❖ FEATURES

- 1/4" 613Ks pixel Sony Super HAD II (Double scan) CCD
- 36x Optical Zoom, Digital 32x zoom
- Super High Resolution 650 TV lines
- Day & Night (ICR)
- Wide Dynamic Range(512x)
- Digital Noise Reduction(2D+3D)
- Privacy mask Function
- On Screen Display
- Intelligent motion detection
- Intelligent Absent detection
- Multi protocol support (Pleco-D, Pelco-P, VISCA)

❖ 650TV Lines High Resolution Image

These cameras combine a Sony "Effio" DSP with a 1/4-type Super HAD II CCD® They achieve a high horizontal resolution of 600~650 TV lines with 611, 688 pixel CCD, enabling reproduction of amazingly clear and detailed images.



❖ Auto ICR

These cameras offers optimal sensitivity in both day- and night-shooting applications. At a set level of darkness, the IR-cut filter is automatically disabled(ICR ON) and the near-infrared sensitivity is increased. At a set level of brightness, the filter is automatically enabled (ICR OFF). The IR-cut filter automatically engages depending on the ambient light, allowing the camera 24/7 operation in a variety of lighting conditions.

EB-363 NEW

36X Auto Focus Zoom Box Camera

SPECIFICATIONS

MODEL	EB-363N	EB-363P
Image Sensor	1/4" SONY Super HAD II(Double Scan) CCD	
Total Pixels	1028(H) × 508(V)	1028(H) × 596(V)
Scanning system	Interlace	
Scanning Frequency	15.734KHz(H),59.94Hz(V)	15.625KHz(H),50Hz(V)
Sync. System	Internal	
Resolution	650 TV lines (COLOR)	
	750 TV lines (BW)	
Min. illumination	Color : 0.5 lux , BW : 0.2 lux	
	Color DSS : 0.001 lux , BW DSS : 0.0004 lux	
Video Output	1.0 Vp-p (75 ohm, composite)	
S/N Ratio	More than 50dB (AGC off)	

LENS

Lens type	36x Day & Night Zoom Lens
Zoom Ratio	Optical 36x, Digital 32x Zoom
Focal Length	f = 3.4 mm ~ 122.4 mm
Aperture Ratio	F1.6 (wide) ~ F4.5 (tele)

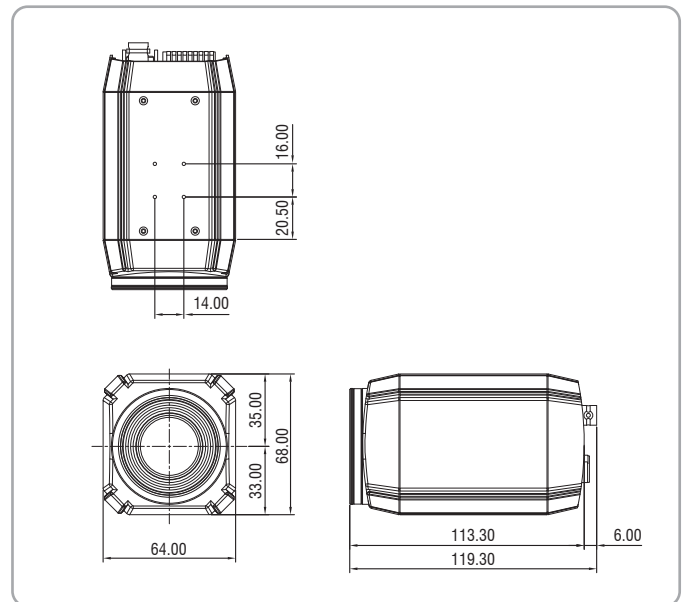
FUNCTION

Focus	Auto / Zoom-Trig / Manual
Focus Distance	0.1 / 1.3 / 1.8 / 3.0 / 5.0 m
E. Zoom	Off / Max 2x~32x
Exposure	Auto / Shutter PRI / Manual
Gain Control	Off / On (Auo Max 30dB)
Shutter Speed	1/60 ~ 1/100,000 sec 1/50 ~ 1/100,000 sec
Digital Shutter Speed	Off / Max 2x~512x
Flickerless	Off / On
Brightness	1 ~ 15 steps
WDR / BLC	Off / WDR / BLC
Day&Night	Auto / Sens-in / Ext / Day / Night
White Balance	ATW / One-Push / Indoor / Outdoor / Manual / Auto
Image DNR	Off / Manual / Auto
HR	Off / 1~7 steps
Mirror	Off / H / V / H+V
Sharpness	1 ~ 16 steps
Effect	Off / Negative / B&W
Freeze	Off / On
Intelligent	Privacy / MD / OD
Privacy Mask	Off / 16 positions
Motion Detection	Off / 3 positions
Object Detection	Off / On
Special	Sync / Phase / Comm
Sync Mode	INT / LL
Phase	0 ~ 255 steps
Comm	Baud Rate : 2400 / 4800 / 9600 / 19200 / 38400
	Protocol : Pelco-D / Pelco- P / VISCA
Display	Disp Sel / Init Sel / Set Title / Set Init Msg / Language
Disp Sel(Off / On)	ID / Title / Zoom Ratio
Init Sel(Off / On)	ID / Baud Rate / Protocol / Version / Init Msg
SET Title	Text Edit
SET Init Msg	Text Edit
Language	English / Chinese / Korean
OSD Text	0 ~ 9 , A ~ Z , a ~ z

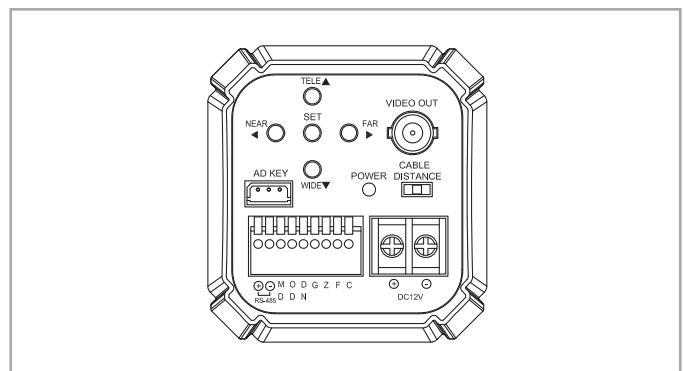
MODEL	EB-363N	EB-363P
ELECTRICAL		
Power Source	DC12V±10%	
Power Consumption	Max 400mA	
GENERAL		
Power Input	Connector	
Video Output	Connector	
Operating Temperature	-10°C ~ +50°C	
Operating Humidity	0 ~ 96%(Non-condensing)	
Storage Temperature	-20°C ~ +60°C	
External Dimension	64(W) x 68(H) x 119.30(D)	
Weight	230g	

DIMENSIONS

Unit : mm



REAR PANEL



EB-223 NEW

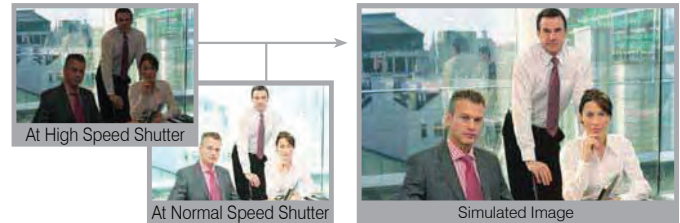
22X Auto Focus Zoom Box Camera

- ❖ Effio DSP
- ❖ 611,688 Pixels
- ❖ 22X zoom camera
- ❖ 650TV Lines
- ❖ Support WDR



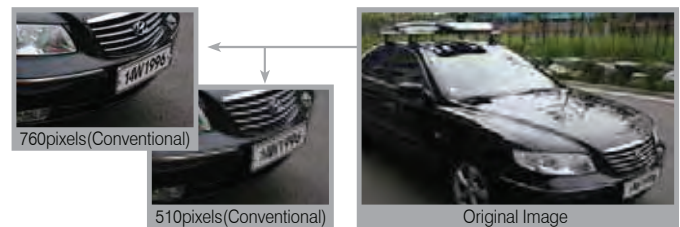
❖ Wide Dynamic Range Image

These cameras incorporate an advanced backlight compensation technology that dramatically improves each camera's dynamic range by 512 times when compared to conventional cameras. Thanks to this new technology, users can capture clear images even in extreme high-contrast lighting environments. The cameras capture the same image twice: first with a normal shutter speed, and then with a high shutter speed. The dark areas captured at normal shutter speed and the bright areas captured at high shutter speed are then combined into one image using an advanced DSP LSI, this clearly reproducing the original scene.



❖ Create Higher Resolution World

- Provide advanced Clear picture quality
- Provide more recognizable picture after E-Zoom operation
- Supporting Intelligent Function



❖ Enhanced Auto Focusing & Smart Lens Control

The newly developed focus motor adopts the special ceramic ball as pedestal of shaft (current one is steel ball). This will greatly enhance the durability of focus motor. By increasing the speed of rotation of zoom motor and redesigning the motor screw, the zoom speed will be faster.(4.0sec --> 2.5sec)

These cameras feature this function. Each incorporates SMART Lens Control technology, which monitors the focus position of the lens while zooming, and automatically compensates for any mechanical misalignment that may occur over long periods of continuous usage. With this beneficial feature, periodic lens initialization is no longer required during continuous 24-hour operation.



❖ Powerful and Versatile Zoom Capability

These cameras use 22x zoom lens. When used in combination with its 32x digital zoom, the camera achieves a zooming capability of up to 704x.

❖ 32X E-Zoom

Provide more recognizable picture after E-zoom due to 960 effective vertical pixels.

❖ FEATURES

- 1/4" 613K pixels Sony Super HAD II (Double scan) CCD
- 22x Optical Zoom, Digital 32x zoom
- High Resolution 650 TV lines
- Day & Night (ICR)
- Wide Dynamic Range(512x)
- Digital Noise Reduction(2D+3D)
- Privacy mask Function
- On Screen Display
- Intelligent motion detection
- Intelligent Absent detection
- Multi protocol support (Pelco-D, Pelco-P, VISCA)

❖ 650TV Lines High Resolution Image

These cameras combine a Sony "Effio" DSP with a 1/4-type Super HAD II CCD® They achieve a high horizontal resolution of 600~650 TV lines with 611, 688 pixel CCD, enabling reproduction of amazingly clear and detailed images.



❖ Auto ICR

These cameras offers optimal sensitivity in both day- and night-shooting applications. At a set level of darkness, the IR-cut filter is automatically disabled(ICR ON) and the near-infrared sensitivity is increased. At a set level of brightness, the filter is automatically enabled (ICR OFF). The IR-cut filter automatically engages depending on the ambient light, allowing the camera 24/7 operation in a variety of lighting conditions.

EB-223 NEW

22X Auto Focus Zoom Box Camera

SPECIFICATIONS

MODEL	EB-223N	EB-223P
Image Sensor	1/4" SONY Super HAD II(Double Scan) CCD	
Total Pixels	1028(H) × 508(V)	1028(H) × 596(V)
Scanning system	Interlace	
Scanning Frequency	15.734KHz(H),59.94Hz(V)	15.625KHz(H),50Hz(V)
Sync. System	Internal	
Resolution	650 TV lines (COLOR)	
	750 TV lines (BW)	
Min. illumination	Color : 0.5 lux , BW : 0.2 lux	
	Color DSS : 0.001 lux , BW DSS : 0.0004 lux	
Video Output	1.0 Vp-p (75 ohm, composite)	
S/N Ratio	More than 50dB (AGC off)	

LENS

Lens type	22x Day & Night Zoom Lens
Zoom Ratio	Optical 22x, Digital 32x Zoom
Focal Length	f = 3.9 mm ~ 85.8 mm
Aperture Ratio	F1.6 (wide) ~ F3.7 (tele)

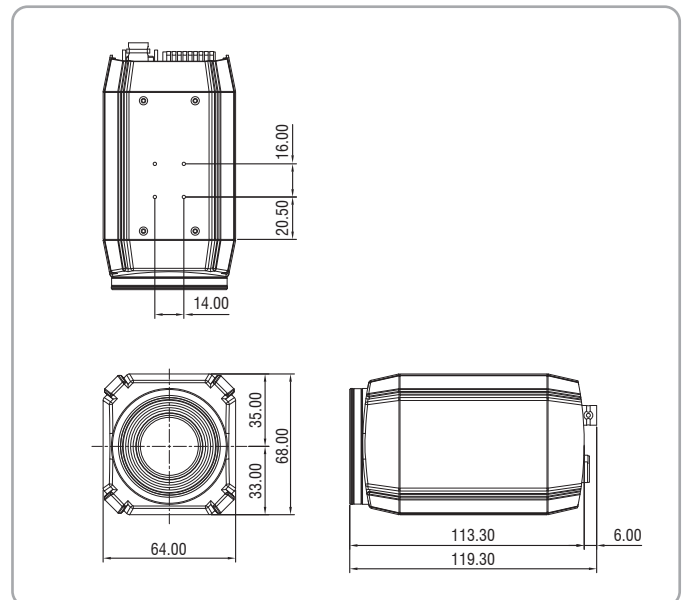
FUNCTION

Focus	Auto / Zoom-Trig / Manual	
Focus Distance	0.1 / 1.0 / 1.5 / 2.5 / 6.0 m	
E. Zoom	Off / Max 2x~32x	
Exposure	Auto / Shutter PRI / Manual	
Gain Control	Off / On (Auo Max 30dB)	
Shutter Speed	1/60 ~ 1/100,000 sec	1/50 ~ 1/100,000 sec
Digital Shutter Speed	Off / Max 2x~512x	
Flickerless	Off / On	
Brightness	1 ~ 15 steps	
WDR / BLC	Off / WDR / BLC	
Day&Night	Auto / Sens-in / Ext / Day / Night	
White Balance	ATW / One-Push / Indoor / Outdoor / Manual / Auto	
Image DNR	Off / Manual / Auto	
HR	Off / 1~7 steps	
Mirror	Off / H / V / H+V	
Sharpness	1 ~ 16 steps	
Effect	Off / Negative / B&W	
Freeze	Off / On	
Intelligent	Privacy / MD / OD	
Privacy Mask	Off / 16 positions	
Motion Detection	Off / 3 positions	
Object Detection	Off / On	
Special	Sync / Phase / Comm	
Sync Mode	INT / LL	
Phase	0 ~ 255 steps	
Comm	Baud Rate : 2400 / 4800 / 9600 / 19200 / 38400	
	Protocol : Pelco-D / Pelco- P / VISCA	
Display	Disp Sel / Init Sel / Set Title / Set Init Msg / Language	
Disp Sel(Off / On)	ID / Title / Zoom Ratio	
Init Sel(Off / On)	ID / Baud Rate / Protocol / Version / Init Msg	
SET Title	Text Edit	
SET Init Msg	Text Edit	
Language	English / Chinese / Korean	
OSD Text	0 ~ 9 , A ~ Z , a ~ z	

MODEL	EB-223N	EB-223P
ELECTRICAL		
Power Source	DC12V±10%	
Power Consumption	Max 320mA	
GENERAL		
Power Input	Connector	
Video Output	Connector	
Operating Temperature	-10°C ~ +50°C	
Operating Humidity	0 ~ 96%(Non-condensing)	
Storage Temperature	-20°C ~ +60°C	
External Dimension	64(W) x 68(H) x 119.30(D)	
Weight	230g	

DIMENSIONS

Unit : mm



REAR PANEL

