

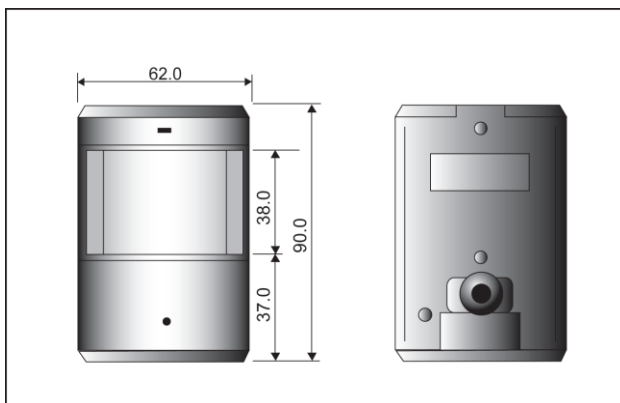


VCH-100N, 200N(H)

VCH- 100N, 200N, 200H SPECIFICATIONS

MODEL	VCH-200H	VCH-200N	VCH-100N
Image Device	1/3" Sony CCD		1/4" Sharp CCD
Lens	3.7mm Super Cone Lens		
Effective Pixels	N: 410K , P: 470K	NTSC : 270K , PAL : 290K	
H. Resolution	550TVL	420TVL	
Min. Illumination	0.1Lux	0.2Lux	
Electronic ShutterSpeed	1/60 (1/50) ~ 1/100,000 sec		
S/N Ratio	>53dB		
Scanning Frequency	H : 15.734kHz / 15.625kHz V : 59.94kHz / 50Hz		
Sync. System	Internal		
Video Output	1.0Vp-p		
Power Consumption	DC 12V		

Dimensions



- 1/3" Sony Color CCD
- 410K
- 550TV Line
- DC 12V

- 1/3" Sony Color CCD
- 270K
- 420TV Line

- 1/4" Sharp Color CCD
- 270K
- 420TV Lines